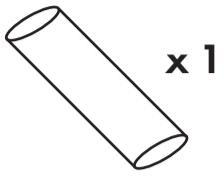


HOMEMÄDE THERMÖMETER



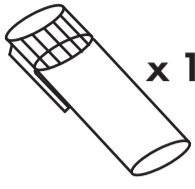
SINGAPORE UNIVERSITY OF TECHNOLOGY AND DESIGN

Drinking Straw



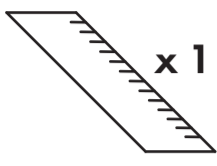
x 1

Marker



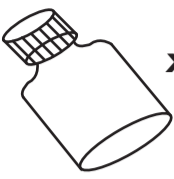
x 1

Ruler



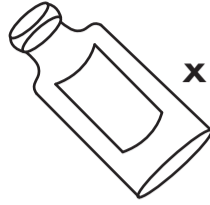
x 1

Small Bottle



x 2

Alcohol



x 1

Food Coloring



x 1

BlueTack



x 1

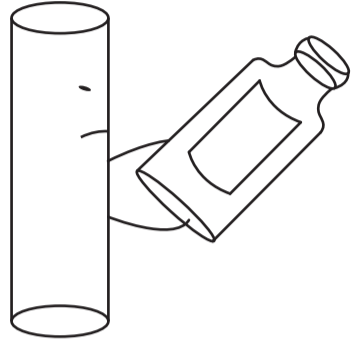
Small Bowls with Ice/Hot Water



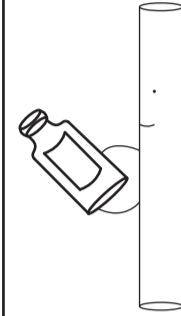
x 1

Design Parameter

Psst, Future SUTDesigner.
Choose your starter

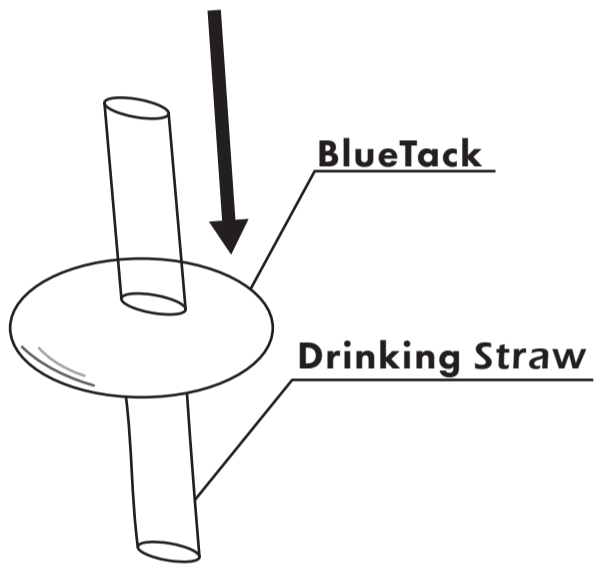


- Bulky
- High Alcohol content
- Slower Punches
- Use: Steady temperature movement

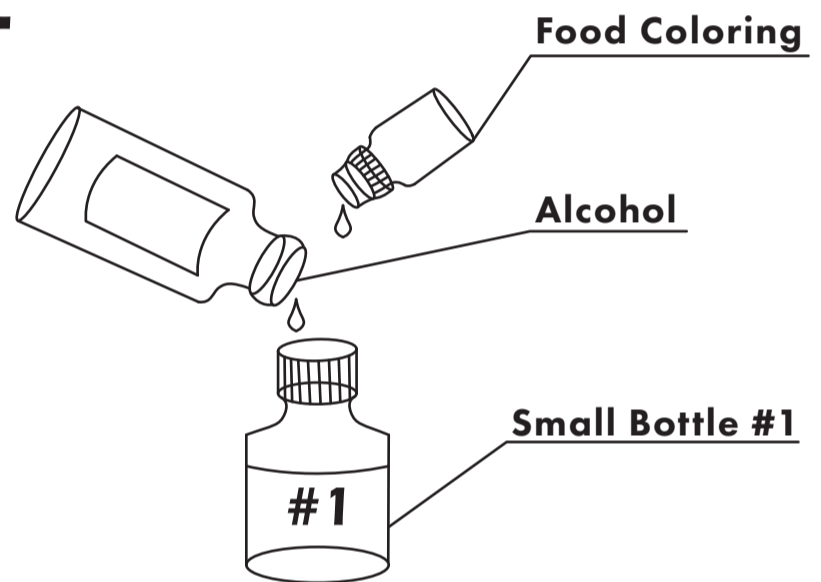


- Agile
- Low Alcohol content
- Faster Punches
- Use: Hyper sensitive temperature movement

1.



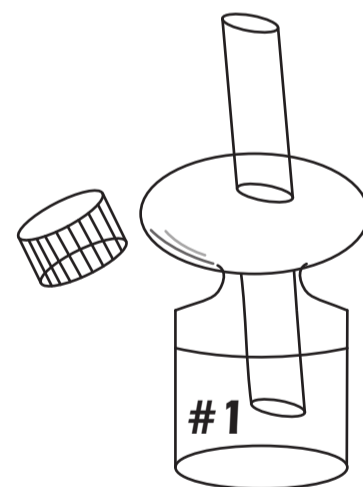
2.



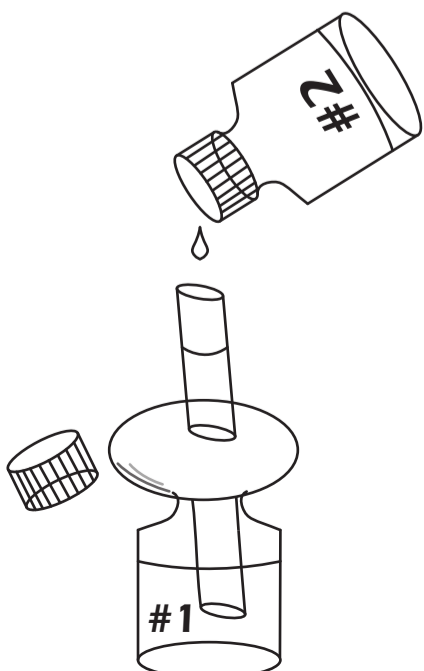
3.



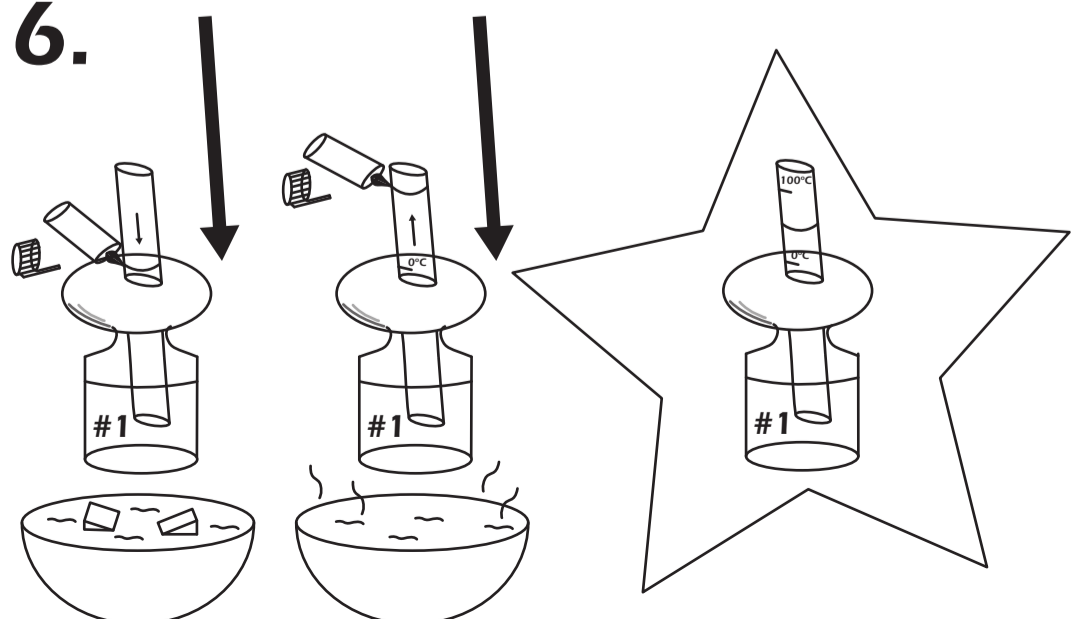
4.



5.

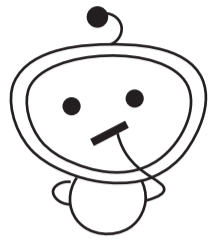


6.





Did you know that there is more to Artificial Intelligence (AI) than just coding?



AI needs **Sensors**, **Connectivity** and **People** to work well!
 Lets see how some EPD modules teach us these!

Sensors

- 30.102 Electromagnetics & Applications
- 30.113 Design & Fabrication of MEMS

Learn how to create long distance **wireless** power transfers & create **antennas**!

Learn how **micro sensors** work and integrate them into **different systems**!



Learn how **digital circuits** work to make **internal connections** faster!

Learn how **smart systems** **communicate** and design your own!

- 30.110 Digital Systems Lab
- 30.201 Wireless Communications & IoT

Connectivity

Learn how to identify **healthcare needs** and improve **customer wellbeing**!

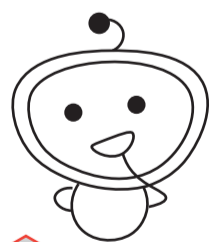
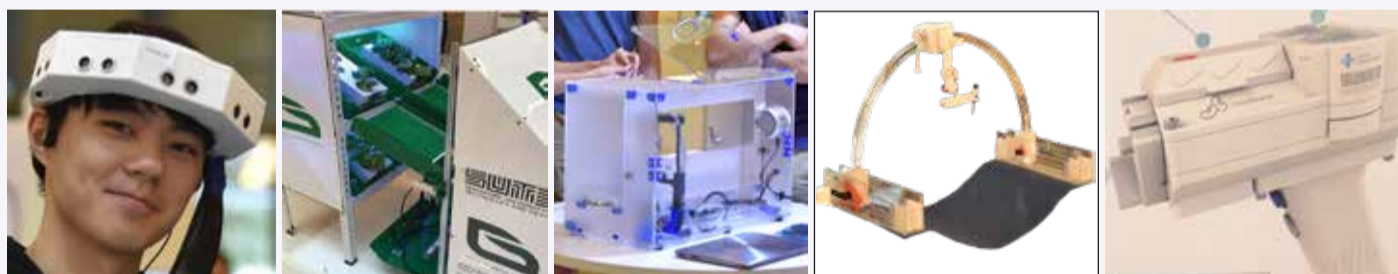
Solve an **industry problem** with your **Engineering solutions** in a **user-centric way**!

People

- 30.123 Healthcare Product Design
- 30.007 Engineering Design Innovation

Check out our students projects!
 (Left to right)

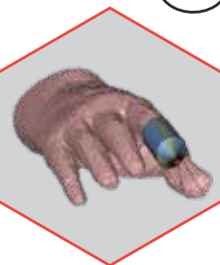
- Detection System for the blind
- Automated Urban Farming
- Automated Medicine Dispenser
- Automated Biopsy Needle Stabiliser
- Automated Wound Sticking Guide



Lets check out some of our Professors' research on sensors, sensor networks and healthcare!

Non-Invasive Glucose Measurement

Did you know to measure glucose you previously need to prick your finger? With the new antenna and sensor, you don't have to suffer that prick no more!



Energy Management @ Khoo Teck Puat Hospital

Using IoT, Big Data, AI, a thorough energy audit could be conducted at KTPH, and by installing a intelligent control system, energy cost could be reduced.



Detecting Bleeding without contact

During dialysis, detecting bleeding is essential for preventing loss of blood. With new electromagnetic sensors and antennas, there is ease to continuously monitor if there is any bleeding.



Positioning of Nasogastric (NG) tube

Inserting a NG tube is a normal procedure for diagnosis. However, it is usually done "blind", which can cause complications. With new magnetic sensors, we can now determine properly the position of the tube!

